

Answer ALL questions.

Write your answers in the spaces provided.

You must write down all the stages in your working.

1 Write down two factors of 18

1 18
2 9
3 6

..... 1 , 18

(Total for Question 1 is 1 mark)

2 Write 0.9 as a fraction.

↑
10ths

$\frac{9}{10}$

$\frac{9}{10}$

.....

(Total for Question 2 is 1 mark)

3 Change 7 metres to centimetres.

1m = 100cm
↘
x100

7m x 100 = 700cm

..... 700 centimetres

(Total for Question 3 is 1 mark)

4 Write down a square number that is between 10 and 50

$1^2 = 1 \times 1 = 1$

$4^2 = 16$

$2^2 = 2 \times 2 = 4$

$3^2 = 9$

..... 16

(Total for Question 4 is 1 mark)

5 Work out 50% of 240

↓
 $\frac{1}{2}$ of 240 = 120

..... 120

(Total for Question 5 is 1 mark)

DO NOT WRITE IN THIS AREA

DO NOT WRITE IN THIS AREA

DO NOT WRITE IN THIS AREA



DO NOT WRITE IN THIS AREA

DO NOT WRITE IN THIS AREA

DO NOT WRITE IN THIS AREA

6 Lydia works for 4 hours.
She is paid £50

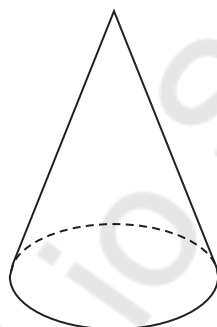
How much is Lydia paid per hour?

$$£50 \div 4 = £12.50$$

£ 12.50

(Total for Question 6 is 2 marks)

7 Here is a 3-D shape.

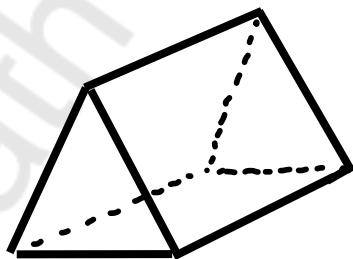


(a) Write down the name of this 3-D shape.

Cone

(1)

(b) In the space below, draw a sketch of a triangular prism.



(1)

(Total for Question 7 is 2 marks)



8 Curtis needs to buy some items for his sports club.

Here are the prices.

Item	Price
Footballs	£9.50 each
Hockey sticks	£30 for 2
Cricket bats	£23 each
Tennis balls	£5 for 4

$\times 3 \rightarrow$ £90 for 6

Curtis needs to buy

- 5 footballs
- 6 hockey sticks
- 2 cricket bats
- 4 tennis balls.

Curtis has £200 to spend.

Show that Curtis can buy all the items he needs.

$$\text{Footballs : } 5 \times £9.50 = £47.50$$

$$\text{Hockey sticks : } £90$$

$$\text{Cricket bats : } 2 \times £23 = £46$$

$$\text{Tennis balls : } £5$$

$$\begin{aligned} \text{Total : } & £47.50 + £90 + £46 + £5 \\ & = £188.50 \end{aligned}$$

$$£200 > £188.50$$

(Total for Question 8 is 4 marks)



- 9 Harris is buying a shirt and a tie.
He has a choice of three colours of shirt and a choice of three styles of tie.

Shirt	Tie
White (W)	Plain (P)
Blue (B)	Striped (S)
Grey (G)	Checked (C)

$$3 \times 3 = 9$$

Harris is going to choose one shirt and one tie.

List all the possible combinations Harris can choose.

WP WS WC

BP BS BC

GP GS GC

(Total for Question 9 is 2 marks)

- 10 There are 24 red counters and 40 blue counters in a bag.

Write down the ratio of the number of red counters to the number of blue counters in the bag.

Give your ratio in its simplest form.

$$\begin{array}{c}
 R : B \\
 \div 8 \quad \left(\begin{array}{c} 24 : 40 \\ \hline 3 : 5 \end{array} \right) \div 8
 \end{array}$$

3:5

(Total for Question 10 is 2 marks)



11 Rima is going to roll a fair 6-sided dice. 1 2 3 4 5 6

(a) Choose the word that best describes the probability that the dice will land on the number 3

impossible	unlikely	$\frac{1}{2}$ evens	likely	certain
------------	----------	------------------------	--------	---------

$$p(3) = \frac{1}{6}$$

..... Unlikely

(1)

(b) Choose the word that best describes the probability that the dice will land on an odd number.

impossible	unlikely	$\frac{1}{2}$ evens	likely	certain
------------	----------	------------------------	--------	---------

$$p(\text{odd}) = \frac{3}{6} = \frac{1}{2}$$

..... Evens

(1)

(Total for Question 11 is 2 marks)

12 A car travels at an average speed of 37 miles per hour for 3 hours.

Work out the distance that the car travels in the 3 hours.

D

$$S = 37 \text{ mph}$$

S T

$$T = 3 \text{ h}$$

$$D = S \times T$$

$$D = 37 \times 3 \\ = 111 \text{ miles}$$

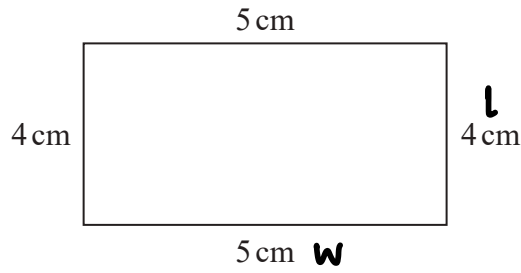
..... 111 miles

(Total for Question 12 is 2 marks)



DO NOT WRITE IN THIS AREA

13 Milo is trying to find the area of this rectangle.



He writes,

“The area is 400 cm^2 because $5 \times 4 \times 5 \times 4 = 400$ ”

(a) Explain what is wrong with Milo’s method.

He should have multiplied 5 and 4 only

(1)

Anya works out the area of a shape.

Her answer is 86 cm.

Area = cm^2

(b) Explain why her answer cannot be fully correct.

Units should be cm^2

(1)

(Total for Question 13 is 2 marks)



- 14 3 kg of flour costs £4.05
5 kg of flour and 6 kg of sugar cost £11.85

Work out the cost of 2 kg of flour and 5 kg of sugar.

Flour

$$\begin{array}{l} \div 3 \left\{ \begin{array}{l} 3 \text{ kg} = \text{£}4.05 \\ 1 \text{ kg} = \text{£}1.35 \end{array} \right. \div 3 \\ \left. \begin{array}{l} \times 5 \\ 5 \text{ kg} = \text{£}6.75 \end{array} \right\} \times 5 \end{array}$$

$$\begin{array}{l} 2 \text{ kg flour} + 5 \text{ kg sugar} \\ (2 \times \text{£}1.35) + (5 \times 0.85) \\ 2.70 + 4.25 = 6.95 \end{array}$$

Sugar

$$\text{£}11.85 - \text{£}6.75 = \text{£}5.10$$

$$\begin{array}{l} \div 6 \left\{ \begin{array}{l} 6 \text{ kg} = \text{£}5.10 \\ 1 \text{ kg} = \text{£}0.85 \end{array} \right. \div 6 \end{array}$$

£ 6.95

(Total for Question 14 is 4 marks)



15 Martha and Nabeel share £120

Martha gets 72% of the money.
She spends 30% of the money she gets.

How much money does Martha have left?

$$72\% \text{ of } £120$$

$$\downarrow \div 100$$

$$0.72 \times 120 = £86.40 \text{ (Martha gets)}$$

$$30\% \text{ of } £86.40$$

$$\downarrow \div 100$$

$$0.3 \times 86.40 = £25.92 \text{ (spends)}$$

$$£86.40 - £25.92 = £60.48$$

£ 60.48

(Total for Question 15 is 3 marks)

DO NOT WRITE IN THIS AREA

DO NOT WRITE IN THIS AREA

DO NOT WRITE IN THIS AREA



P 6 9 5 3 1 A 0 9 2 4

- 16 ~~160~~ people were asked to choose their favourite type of book.
They each chose from romance or adventure or horror or thriller.

~~85~~ of these people were children.
The rest were adults.

~~19~~ of the ~~33~~ people who chose romance were children.

~~34~~ of the ~~76~~ people who chose adventure were adults.

~~7~~ adults chose thriller.

The number of children who chose thriller was the same as the number of adults who chose horror.

Work out the total number of people who chose horror.

You must show how you get your answer.

	Romance	Adventure	Horror	Thriller	Total
Children	19	42	4	20	85
Adults	14	34	20	7	75
Total	33	76	24	27	160

24

(Total for Question 16 is 4 marks)



DO NOT WRITE IN THIS AREA

DO NOT WRITE IN THIS AREA

DO NOT WRITE IN THIS AREA

17 Here are the heights, in cm, of 16 sunflowers.

~~168~~ ~~173~~ ~~172~~ ~~180~~ ~~162~~ 191 ~~183~~ ~~160~~
~~178~~ ~~184~~ 197 ~~177~~ ~~172~~ ~~186~~ ~~188~~ ~~180~~

Show this information in a stem and leaf diagram. **ordered**

160 162 168
 172 172 173 177 178
 180 180 183 184 186 188
 191 197

16	0	2	8
17	2	2	3 7 8
18	0	0	3 4 6 8
19	1	7	
↑		↑	
stems		leaves (1-digit)	

Key:

$$16 \mid 0 = 160 \text{ cm}$$

(Total for Question 17 is 3 marks)



18 (a) Work out $\frac{9.8 + 6.8}{4.2 \times 2.1}$ ✓ ÷

Give your answer as a decimal.

Write down all the figures on your calculator display.

$$\frac{\square}{\square} \quad 9.8 + 6.8 \quad \downarrow \quad 4.2 \times 2.1$$

1.882086168

(2)

(b) Write your answer to part (a) correct to 2 decimal places.

1.882086...

1.88

(1)

(Total for Question 18 is 3 marks)

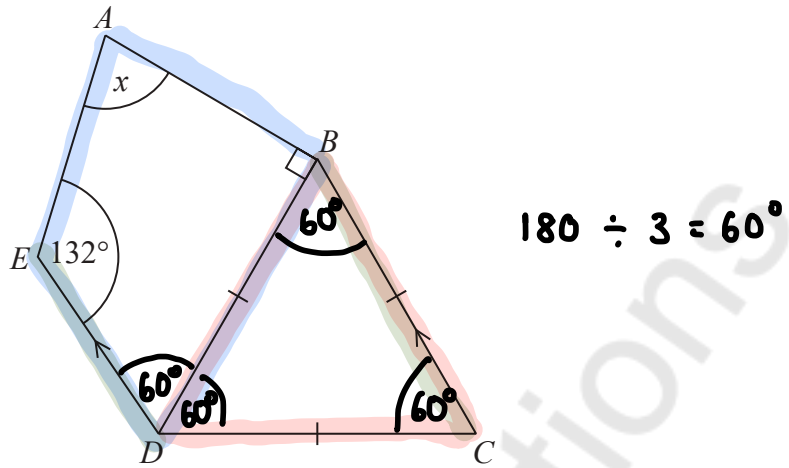


DO NOT WRITE IN THIS AREA

DO NOT WRITE IN THIS AREA

DO NOT WRITE IN THIS AREA

19 The diagram shows a quadrilateral $ABDE$ and an equilateral triangle BCD .



CB is parallel to DE .

Angle $AED = 132^\circ$

Work out the size of the angle marked x .
You must give a reason for each stage of your working.

Angle $EDB = 60^\circ$ Alternate angles are equal

Angle $x = 360^\circ - (132 + 60 + 90)$ Angles in a quadrilateral sum to 360°
 $= 78^\circ$

..... 78 °

(Total for Question 19 is 4 marks)



P 6 9 5 3 1 A 0 1 3 2 4

20 (a) Complete the table of values for $y = x^2 - x - 2$

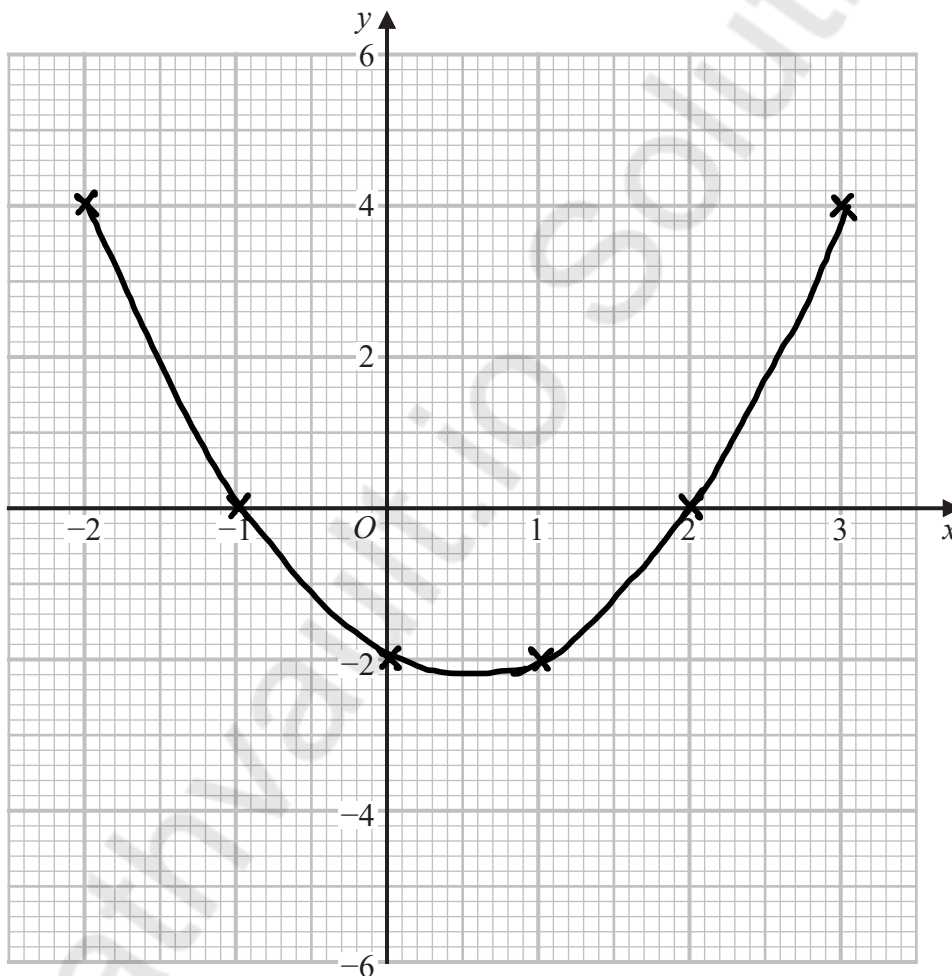
x	-2	-1	0	1	2	3
y	4	0	-2	-2	0	4

$\leftarrow (3)^2 - (3) - 2$

$\uparrow (-1)^2 - (-1) - 2$ $\uparrow (0)^2 - (0) - 2$ $\uparrow (2)^2 - (2) - 2$

(b) On the grid, draw the graph of $y = x^2 - x - 2$ for values of x from -2 to 3

$(-2, 4)$
 $(-1, 0)$
 $(0, -2)$
 $(1, -2)$
 $(2, 0)$
 $(3, 4)$



(2)

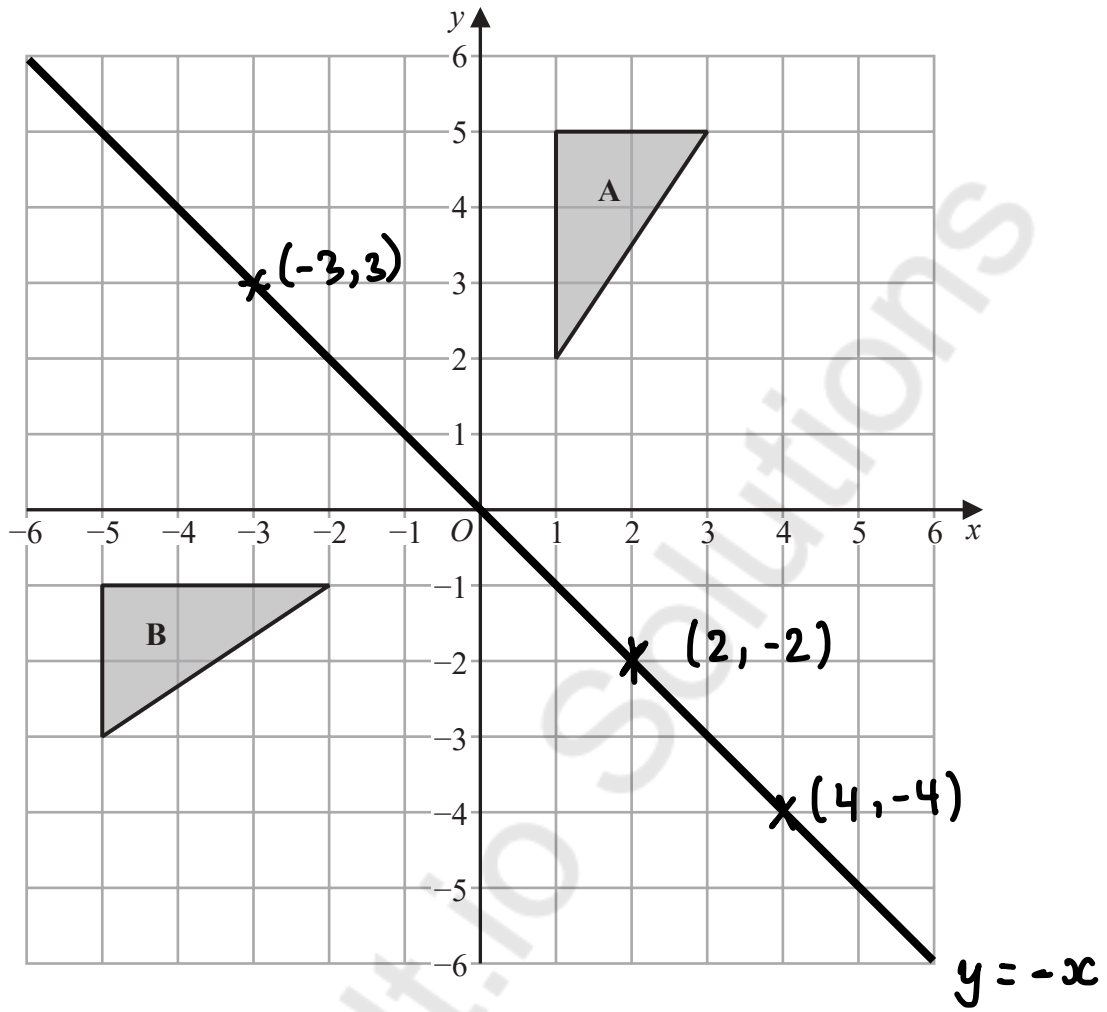
(Total for Question 20 is 4 marks)

DO NOT WRITE IN THIS AREA

DO NOT WRITE IN THIS AREA

DO NOT WRITE IN THIS AREA





Describe fully the single transformation that maps triangle A onto triangle B.

Reflection in the line $y = -x$

(Total for Question 21 is 2 marks)

DO NOT WRITE IN THIS AREA

DO NOT WRITE IN THIS AREA

DO NOT WRITE IN THIS AREA



22 (a) Expand and simplify $3(2y - 5) + 7(y + 2)$

$$6y - 15 + 7y + 14$$

$$13y - 1$$

$$\underline{13y - 1}$$

(2)

(b) Factorise fully $6x^2 + 15x$

$$\underline{3x(2x + 5)}$$

HCF of
 $6x^2$ and
 $15x$

HCF of 6 and 15 = 3

HCF of x^2 and $x = x$

$$3x \times \underline{2x} = 6x^2$$

$$3x \times \underline{5} = 15x$$

$$\underline{3x(2x + 5)}$$

(2)

(c) Make g the subject of the formula $f = 3g + 11$

$$f - 11 = 3g$$

$$\div 3 \qquad \div 3$$

$$\frac{f - 11}{3} = g$$

$$\underline{g = \frac{f - 11}{3}}$$

(2)

(Total for Question 22 is 6 marks)



23 Karen is organising a party for a charity.

She spends

£100 on food

£120 on a hall

£80 on a DJ.

Karen sells 54 tickets for the party.

Each ticket costs £7.50

Work out the percentage profit Karen makes for the charity.

Spent

$$£100 + £120 + £80 = £300$$

Gained

$$54 \times £7.50 = £405$$

Profit

$$£405 - £300 = £105$$

$$\% \text{ profit} = \frac{105}{300} \times 100 = 35\%$$

..... 35 %

(Total for Question 23 is 4 marks)



P 6 9 5 3 1 A 0 1 7 2 4

- 24 Andrew invests £4500 in a savings account for 2 years.
The account pays compound interest at a rate of 3.4% per year.

Calculate how much Andrew has in this savings account at the end of the 2 years.

$$\text{Final amount} = \text{investment} \times \text{multiplier}^n \quad \leftarrow \text{no. of years}$$

$$100\% + 3.4\% = 103.4\%$$

$$\downarrow \div 100$$

$$1.034 \text{ (multiplier)}$$

$$= 4500 \times 1.034^2$$

$$= 4811.202$$

$$= 4811.20$$

$$\pounds 4811.20$$

(Total for Question 24 is 2 marks)

- 25 Solve $5x - 14 = 52 - x$

$$+x \quad +x$$

$$6x - 14 = 52$$

$$+14 \quad +14$$

$$6x = 66$$

$$\div 6$$

$$\div 6$$

$$x = 11$$

$$x = 11$$

(Total for Question 25 is 3 marks)



- 26 Chris, Debbie and Errol share some money in the ratio 3:4:2
Debbie gets £120

Chris then gives some of his share to Debbie and some of his share to Errol.
The money that Chris, Debbie and Errol each have is now in the ratio 2:5:3

How much money did Chris give to Errol?

C $\boxed{30} \boxed{30} \boxed{30} = \text{£}90$

D $\boxed{30} \boxed{30} \boxed{30} \boxed{30} = \text{£}120 \quad 120 \div 4 = 30$

E $\boxed{30} \boxed{30} = \text{£}60$

Total: $\text{£}90 + \text{£}120 + \text{£}60 = \text{£}270$

C $\boxed{27} \boxed{27}$

D $\boxed{27} \boxed{27} \boxed{27} \boxed{27} \boxed{27}$

E $\boxed{27} \boxed{27} \boxed{27} = \text{£}81$

} 10 parts $\text{£}270 \div 10 = \text{£}27$

$81 - 60 = \text{£}21$

£ 21.....

(Total for Question 26 is 4 marks)

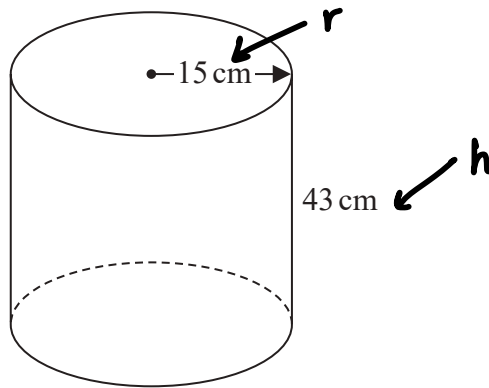
- 27 The bearing of port B from port A is 147°

Work out the bearing of port A from port B.

.....
(Total for Question 27 is 2 marks)



28 The diagram shows an empty tank in the shape of a cylinder.



The cylinder has radius 15 cm and height 43 cm.

Water flows into the tank at a rate of 0.47 litres per minute.

Calculate the number of minutes it will take to completely fill the tank.
Give your answer correct to the nearest minute.

$$\begin{aligned}
 V &= \pi r^2 h \\
 &= \pi (15)^2 (43) \\
 &= 9675\pi \text{ cm}^3 \\
 &\quad \downarrow \div 1000 \\
 &= 9.675\pi \text{ L}
 \end{aligned}$$

$$\begin{aligned}
 1000 \text{ cm}^3 &= 1 \text{ L} \\
 &\quad \div 1000
 \end{aligned}$$

$$\begin{aligned}
 9.675\pi \div 0.47 &= 64.67\dots \\
 &\approx 65
 \end{aligned}$$

..... 65 minutes

(Total for Question 28 is 4 marks)

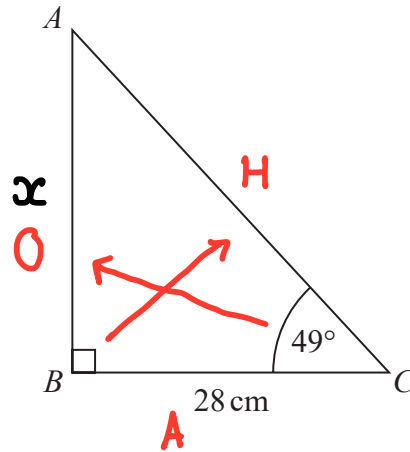
DO NOT WRITE IN THIS AREA

DO NOT WRITE IN THIS AREA

DO NOT WRITE IN THIS AREA



29 ABC is a right-angled triangle.



Calculate the length of AB .

Give your answer correct to 3 significant figures.

~~$\sin \theta = \frac{\theta}{H}$~~

~~$\cos \theta = \frac{A}{H}$~~

$\tan \theta = \frac{O}{A}$



$\tan(49) = \frac{x}{28}$

$\times 28$

$\times 28$

$28 \times \tan(49) = x$

$32.2163154 = x$

$32.2 \text{ cm} = x$

..... **32.2** cm

(Total for Question 29 is 2 marks)



30 Solve the simultaneous equations

$$3x + y = -4.5 \quad \times 4$$

$$4x + 3y = -3.5 \quad \times 3$$

$$\begin{array}{r} 12x + 4y = -18 \\ 12x + 9y = -10.5 \\ \hline -5y = -7.5 \\ \div -5 \qquad \qquad \div -5 \\ y = 1.5 \end{array}$$

$$3x + y = -4.5$$

$$\begin{array}{r} 3x + 1.5 = -4.5 \\ -1.5 \quad -1.5 \end{array}$$

$$\begin{array}{r} 3x = -6 \\ \div 3 \qquad \qquad \div 3 \end{array}$$

$$x = -2$$

$$x = -2 \dots\dots\dots$$

$$y = 1.5 \dots\dots\dots$$

(Total for Question 30 is 3 marks)

TOTAL FOR PAPER IS 80 MARKS

DO NOT WRITE IN THIS AREA

DO NOT WRITE IN THIS AREA

DO NOT WRITE IN THIS AREA



DO NOT WRITE IN THIS AREA

DO NOT WRITE IN THIS AREA

DO NOT WRITE IN THIS AREA

Mathvault.io Solutions

BLANK PAGE



DO NOT WRITE IN THIS AREA

DO NOT WRITE IN THIS AREA

DO NOT WRITE IN THIS AREA

Mathvault.io Solutions

BLANK PAGE

