

Please check the examination details below before entering your candidate information

Candidate surname

Other names

Centre Number

Candidate Number

--	--	--	--	--

--	--	--	--	--

**Pearson Edexcel Level 1/Level 2 GCSE (9–1)**

**Wednesday 6 November 2024**

Morning (Time: 1 hour 30 minutes)

Paper  
reference

**1MA1/1F**

**Mathematics**

**Paper 1 (Non-Calculator)  
Foundation Tier**



**You must have:** Ruler graduated in centimetres and millimetres, protractor, pair of compasses, pen, HB or B pencil, eraser, Formulae Sheet (enclosed). Tracing paper may be used.

Total Marks

## Instructions

- Use **black** ink or ball-point pen.
- If pencil is used for diagrams/sketches/graphs it must be dark (HB or B).
- **Fill in the boxes** at the top of this page with your name, centre number and candidate number.
- Answer **all** questions.
- Answer the questions in the spaces provided  
– *there may be more space than you need.*
- You must **show all your working**.
- Diagrams are **NOT** accurately drawn, unless otherwise indicated.
- **Calculators may not be used.**

## Information

- The total mark for this paper is 80
- The marks for **each** question are shown in brackets  
– *use this as a guide as to how much time to spend on each question.*

## Advice

- Read each question carefully before you start to answer it.
- Try to answer every question.
- Check your answers if you have time at the end.

Turn over ►

P75157A

©2024 Pearson Education Ltd.  
V:1/1/1/1/1/



  
Pearson

Answer ALL questions.

Write your answers in the spaces provided.

You must write down all the stages in your working.

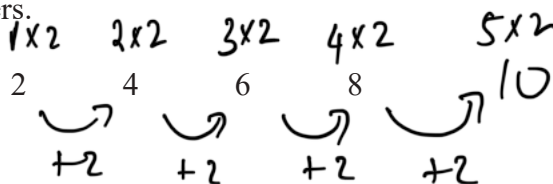
- 1 Write 25% as a decimal.

$$\frac{25}{100} = 0.25$$

0.25

(Total for Question 1 is 1 mark)

- 2 Here are the first four even numbers.



Find the 10th even number.

$$10 \times 2 = 20$$

20

(Total for Question 2 is 1 mark)

- 3 Change 15 centimetres into millimetres.

$$\begin{aligned} & \times 15 \left( \begin{array}{l} 10 \text{ mm} = 1 \text{ cm} \\ 150 \text{ mm} = 15 \text{ cm} \end{array} \right) \times 15 \end{aligned}$$

150

millimetres

(Total for Question 3 is 1 mark)

- 4 Write down the multiple of 9 that is between 20 and 30

27

$$3 \times 9 = 27$$

27

(Total for Question 4 is 1 mark)

- 5 Work out  $500 + 145$

$$\begin{array}{r} 500 \\ 145 \\ \hline 645 \end{array}$$

645

(Total for Question 5 is 1 mark)

DO NOT WRITE IN THIS AREA

DO NOT WRITE IN THIS AREA

DO NOT WRITE IN THIS AREA



DO NOT WRITE IN THIS AREA

DO NOT WRITE IN THIS AREA

DO NOT WRITE IN THIS AREA

6 Javid hires a car for 10 days.  
 He pays £45 for each day.  
 He also pays £30 for insurance.

Javid pays with ten £50 notes.  
 Work out how much change he should get.

$$\begin{array}{l}
 \times 10 \left\{ \begin{array}{l} 1 \text{ day} : £45 \\ 10 \text{ days} : £450 \end{array} \right. \left. \begin{array}{l} \\ \times 10 \end{array} \right.
 \end{array}$$

Total  
 10 days =  $450 + 30 = £480$

$$10 \times 50 = £500$$

$$\begin{array}{r}
 £500 \\
 - £480 \\
 \hline
 £020
 \end{array}$$

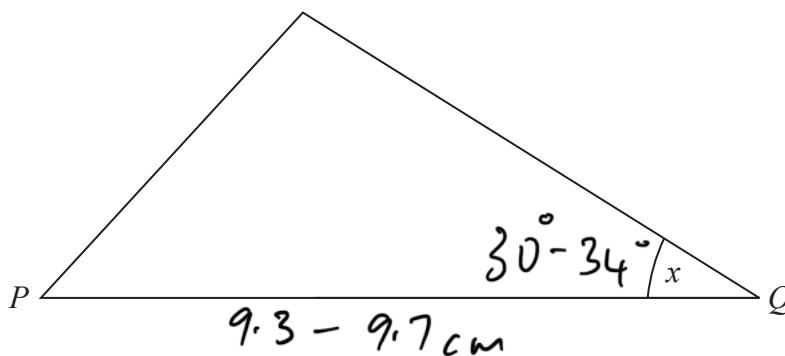
£20 Change

£.....20.....

(Total for Question 6 is 3 marks)



7 Here is an accurately drawn triangle.



- (a) Measure the length of the side PQ.  
Give your answer in centimetres.

.....  $9.5$  ..... centimetres  
(1)

- (b) What type of angle is the angle marked x?

less than  $90^\circ$   
Greater than  $0^\circ$

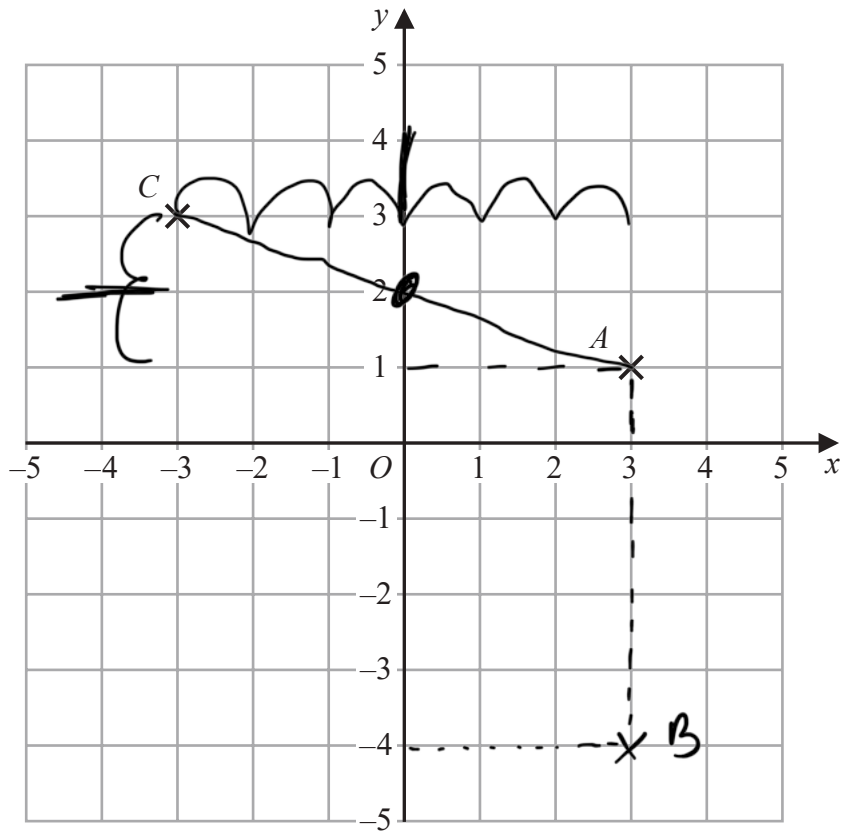
..... acute .....  
(1)

- (c) Measure the size of the angle marked x.

.....  $32$  .....  
(1)

(Total for Question 7 is 3 marks)





(a) Write down the coordinates of point  $A$ .

( 3 , 1 )  
(1)

(b) On the grid, mark with a cross ( $\times$ ) the point  $(3, -4)$   
Label this point  $B$ .

(1)

(c) Write down the coordinates of the midpoint of  $AC$ .

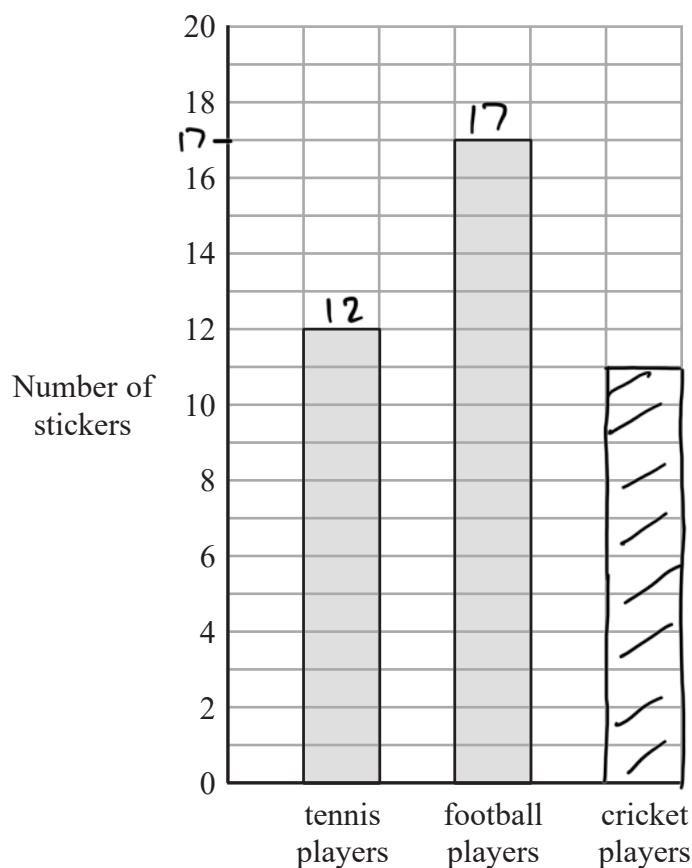
( 0 , 2 )  
(1)

(Total for Question 8 is 3 marks)



- 9 Milly collects stickers of sports players. She only has stickers of tennis players, football players and cricket players.

The incomplete bar chart shows some information about the number of stickers Milly has.



$$\begin{array}{r} 12 \\ 17 \\ \hline 29 \\ 3 \\ 40 \\ - 29 \\ \hline 11 \end{array}$$

Milly has a total of 40 stickers.

- (a) Complete the bar chart.

$$\text{Cricket} = 40 - 12 - 17 =$$

(3)

- (b) What fraction of the 40 stickers are stickers of tennis players? Give your fraction in its simplest form.

$$\frac{12}{40} \div 2 = \frac{6}{20} \div 2 = \frac{3}{10}$$

$$\frac{3}{10}$$

(2)



DO NOT WRITE IN THIS AREA

Ewan also collects stickers.  
He only has large stickers and small stickers.

$$\begin{array}{l} \text{Total} = 4 + 5 = 9 \\ \text{points} \end{array} \quad \begin{array}{l} L : S \\ 5 : 4 \end{array}$$

For Ewan's stickers,

the number of large stickers : the number of small stickers = 5 : 4

(c) Write down the fraction of Ewan's stickers that are large stickers.

$$\frac{5}{9}$$

(1)

(d) Write the ratio 5 : 4 in the form  $n : 1$

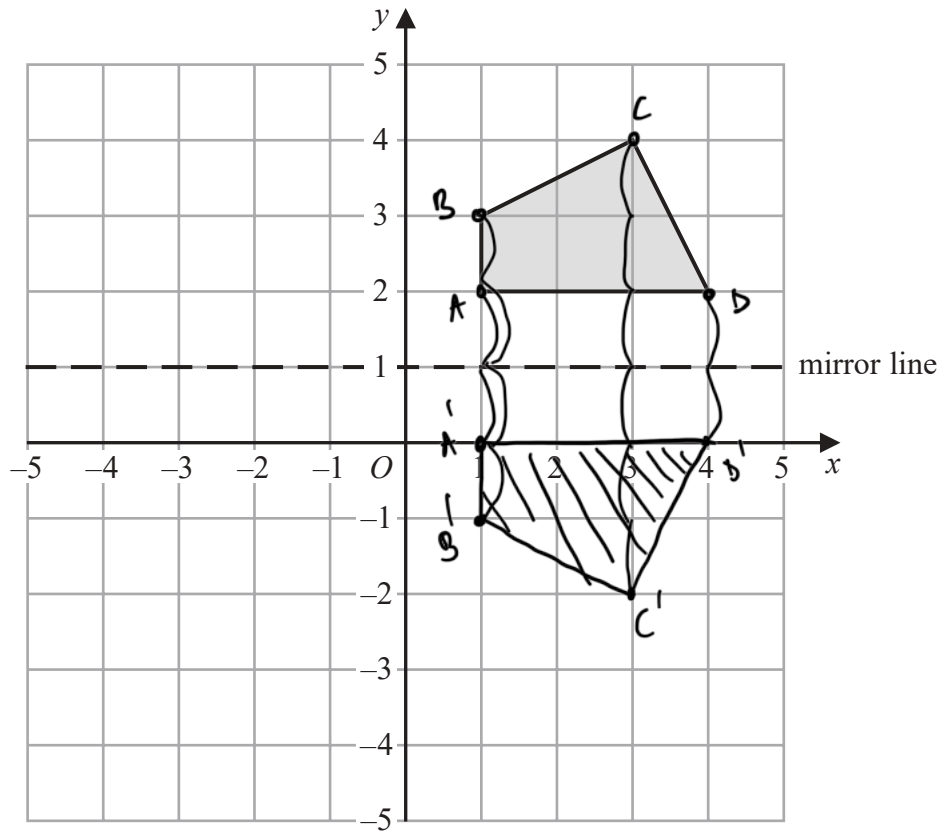
$$\begin{array}{l} \div 4 \left( \begin{array}{l} 5 : 4 \\ \frac{5}{4} : 1 \end{array} \right) \div 4 \\ 1.25 : 1 \end{array}$$

$$\begin{array}{l} \frac{5}{4} : 1 \quad \checkmark \\ 1.25 : 1 \quad \checkmark \end{array}$$

(1)

(Total for Question 9 is 7 marks)





(a) On the grid, reflect the shaded shape in the mirror line.

(2)

(b) Write down the equation of the mirror line.

$$y = 1$$

(1)

(Total for Question 10 is 3 marks)



11 500 people were asked what type of film they liked best.

280 of the 500 people were adults.

100 of the adults said they liked action films best.

80 of the children said they liked thriller films best.

150 of the people said they liked action films best.

200 of the people said they liked comedy films best.

(a) Complete the two-way table.

	Comedy	Thriller	Action	Total
Adults	$200 - 90 = 110$	70	100	280
Children	90	80	$150 - 100 = 50$	$500 - 280 = 220$
Total	200	$70 + 80 = 150$	150	500

$$220 - 80 - 50$$

$$220 - 130 = 90$$

$$280 - 100 - 110$$

$$180 - 110 = 70$$

$$\begin{array}{r} 80 \\ + 50 \\ \hline 130 \end{array}$$

$$\begin{array}{r} 220 \\ - 130 \\ \hline 090 \end{array}$$

$$\begin{array}{r} 500 \\ - 280 \\ \hline 220 \end{array}$$

(3)

One of these 500 people is chosen at random.

(b) Find the probability that this person is an adult who said they liked action films best.

$$\frac{100}{500}$$

$$\frac{100}{500}$$

(2)

(Total for Question 11 is 5 marks)

12 Olly was asked to work out  $5 - 3 \times 4$

Olly wrote  $5 - 3 = 2$

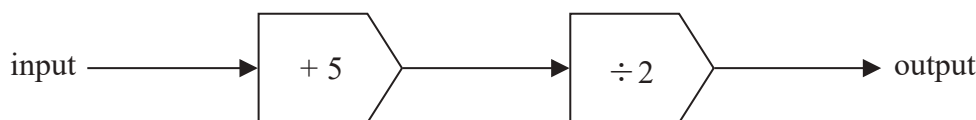
He then worked out  $2 \times 4$

Explain what is wrong with Olly's method.

Order of operations states multiplication occurs before subtraction so Olly should have done  $3 \times 4 = 12$   
Then  $5 - 12 = -7$

(Total for Question 12 is 1 mark)

13 Here is a number machine.



(a) Find the output when the input is 11

$11 + 5 = 16$

$16 \div 2 = 8$

8  
(2)

Here is a different number machine.



When the input is 10, the output is 28

(b) Complete this number machine.

10   ?   7  
 $7 \times \frac{10}{7}$

$\div 4 \leftarrow 28$

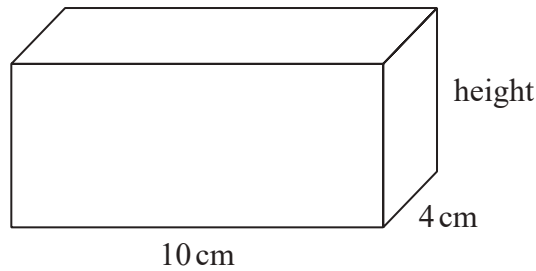
$10 \div \frac{10}{7} = 10 \times \frac{7}{10} = 7$

$7 \times 4 = 28$  (2)

(Total for Question 13 is 4 marks)



14 Here is a cuboid of length 10 cm and width 4 cm.



The cuboid has a volume of  $200 \text{ cm}^3$

(a) Work out the height of the cuboid.

$$V = L \times W \times h$$

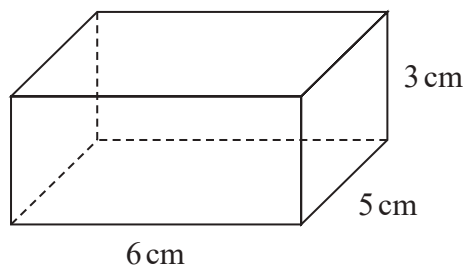
$$200 = 10 \times 4 \times h$$

$$\frac{200}{40} = \frac{40h}{40}$$

$$5 = h$$

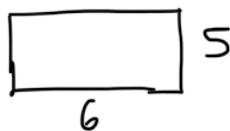
..... 5 ..... cm  
(2)

Here is a different cuboid.



(b) Work out the total surface area of this cuboid.

Top and Base



$$A = 5 \times 6 = 30$$

$$\text{Total Area} = 30 \times 2 = 60$$

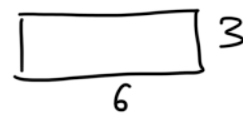
Left and Right



$$A = 5 \times 3 = 15$$

$$\text{Total} = 15 \times 2 = 30$$

Front and Back



$$A = 6 \times 3 = 18$$

$$\text{Total} = 18 \times 2 = 36$$

$$\text{Total Surface Area} = 60 + 30 + 36 = 126$$

..... 126 .....  $\text{cm}^2$   
(3)

(Total for Question 14 is 5 marks)



15 (a) Factorise  $6a + 15$

$$3[2a + 5]$$

$$3(2a + 5)$$

(1)

(b) Solve  $\frac{4(3y + 1)}{4} = \frac{28}{4}$

$$3y + 1 = 7$$

$$3y = 6$$

$$y = 2$$

$y = 2$

(3)

(Total for Question 15 is 4 marks)

16 1 cup of tea and 1 cup of coffee cost £4.50  
3 cups of tea and 1 cup of coffee cost £8.50

Work out the total cost of 4 cups of tea and 3 cups of coffee.  
You must show all your working.

$$\begin{array}{r} t + c = 4.50 \quad \text{--- (1)} \\ 3t + c = 8.50 \quad \text{--- (2)} \\ \hline 2t = 4 \end{array}$$

$$t = 2$$

sub back into (1)

$$2 + c = 4.5$$

$$c = 2.50$$

$$\begin{array}{l} 4t + 3c \\ 4 \times 2 + 3 \times 2.5 \\ 8 + 7.5 \\ \pounds 15.50 \end{array}$$

£ 15.50

(Total for Question 16 is 5 marks)



DO NOT WRITE IN THIS AREA

DO NOT WRITE IN THIS AREA

DO NOT WRITE IN THIS AREA

17 Gita wants to make 24 litres of green paint.  
She is going to mix blue paint, yellow paint and white paint in the ratio 4:3:1

She has

- 12 litres of blue paint
- 7 litres of yellow paint
- 5 litres of white paint.

Does Gita have enough blue paint, yellow paint and white paint to make 24 litres of green paint?

You must show how you get your answer.

Total parts = 4 + 3 + 1 = 8

B : Y : W

4 : 3 : 1

12 : 9 : 3

12L : 7L : 5L

24

Gita has enough blue paint and white paint

Gita does not have enough yellow paint  
9L is required. Gita has only 7L of yellow paint

(Total for Question 17 is 3 marks)



18 Work out  $818.4 \div 1.2$

$$\frac{818.4 \times 10}{1.2 \times 10} = \frac{8184 \div 2}{12 \div 2} = \frac{4092 \div 2}{6 \div 2} = \frac{2046}{3}$$

$$\frac{2046 \div 3}{3 \div 3} = \frac{0682}{1} = \underline{\underline{682}}$$

682

(Total for Question 18 is 3 marks)

DO NOT WRITE IN THIS AREA

DO NOT WRITE IN THIS AREA

DO NOT WRITE IN THIS AREA



19 The table shows the probabilities that a biased dice will land on 3, on 4, on 5 and on 6

Number on dice	1	2	3	4	5	6
Probability	$x$	$x$	0.10	0.30	0.05	0.25

Karim assumes that the probabilities that the dice will land on 1 and on 2 are the same.

Karim rolls the biased dice 500 times.

- (a) Assuming Karim is right, work out an estimate for the number of times the dice will land on 2

$$x + x + 0.1 + 0.3 + 0.05 + 0.25 = 1$$

$$2x + 0.7 = 1$$

$$\frac{2x}{2} = \frac{0.3}{2}$$

$$x = 0.15$$

$$\begin{array}{r} 2 \times 15 \\ \times 5 \\ \hline 75 \end{array}$$

$$0.15 \times 500$$

$$\frac{15}{100} \times 500 = 15 \times 5 = 75$$

$$\underline{75} \quad (3)$$

Karim is wrong.

The probability that the dice will land on 2 is greater than the probability that the dice will land on 1

- (b) How does this information affect your answer to part (a)?

$$p(1) + p(2) = 0.3$$

If  $p(2)$  increases then  $p(1)$  will decrease.

If  $p(2)$  is greater then estimate in part (a) is an underestimate.

(1)

(Total for Question 19 is 4 marks)



20 (a) Work out  $3\frac{1}{2} - 1\frac{1}{6}$

Give your answer as a mixed number.

$$\begin{array}{r} 3 \times 7 \\ \hline 3 \times 2 \end{array} - \frac{7}{6}$$

$$\frac{21}{6} - \frac{7}{6} = \frac{14}{6} \stackrel{\div 2}{=} \frac{7}{3} = \underline{\underline{2\frac{1}{3}}}$$

$$\underline{\underline{2\frac{1}{3}}}$$

(2)

(b) Show that  $5\frac{1}{4} \div 2\frac{1}{3} = 2\frac{1}{4}$

$$\frac{21}{4} \div \frac{7}{3} = \frac{9}{4}$$

$$3 \frac{21}{4} \times \frac{3}{7}$$

$$\frac{9}{4} = \frac{9}{4}$$

LHS = RHS

(3)

(Total for Question 20 is 5 marks)

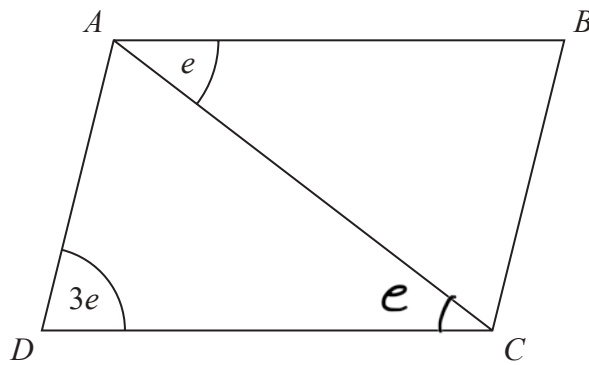
DO NOT WRITE IN THIS AREA

DO NOT WRITE IN THIS AREA

DO NOT WRITE IN THIS AREA



21  $ABCD$  is a parallelogram.



All angles are measured in degrees.

Find an expression, in terms of  $e$ , for the size of angle  $CAD$ .

Give a reason for each stage of your working.

$$\hat{A}CD = \hat{B}AC \quad \text{Alternate angles are equal}$$

$$3e + e + \hat{A}D = 180^\circ \quad \text{Sum of angles in a triangle is } 180^\circ$$

$$\begin{array}{r} 4e + \hat{A}D = 180 \\ -4e \quad -4e \end{array}$$

$$\hat{A}D = 180 - 4e$$

(Total for Question 21 is 3 marks)



22 A car travelled 4.96 miles at an average speed of 30.4 miles per hour.

- (a) Work out an estimate for the time taken by the car.  
Give your answer in minutes.

$$4.96 \approx 5 \text{ m}$$

$$30.4 \approx 30 \text{ m/h}$$



$$S = \frac{D}{T}$$

$$T = \frac{D}{S}$$

$$T = \frac{5}{30}$$

$$T = \frac{1}{6} \text{ hours}$$

$$\frac{1}{6} \times 60 = 10 \text{ minutes}$$

$$60 \text{ mins} = 1 \text{ hr}$$

$$= \frac{1}{6} \text{ hr}$$

..... minutes  
(3)

- (b) Is your answer to part (a) an underestimate or an overestimate?  
Give a reason for your answer.

distance rounded up, speed rounded down  
This results in an overestimate.

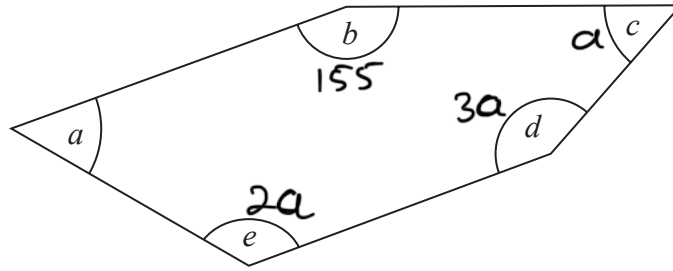
↑  
↓ (over)

(1)

(Total for Question 22 is 4 marks)



23 Here is a pentagon.



Angle  $a =$  angle  $c$

Angle  $b = 155^\circ$

Angle  $d$  is three times the size of angle  $c$

Angle  $e$  is two times the size of angle  $c$

$$d = 3c = 3a$$

$$e = 2c = 2a$$

Work out the size of angle  $a$

Sum of interior angles in a pentagon :  $n=5$   
 $(5-2)180$

$$3 \times 180 = 540$$

$$\begin{array}{r} 2+ \\ 180 \\ \times 3 \\ \hline 540 \end{array}$$

$$a + 155 + a + 3a + 2a = 540$$

$$7a = 540 - 155$$

$$\frac{7a}{7} = \frac{385}{7}$$

$$7 \overline{) 385} \begin{array}{r} 055 \\ \underline{35} \\ 35 \\ \underline{35} \\ 0 \end{array}$$

$$a = \underline{\underline{55}}$$

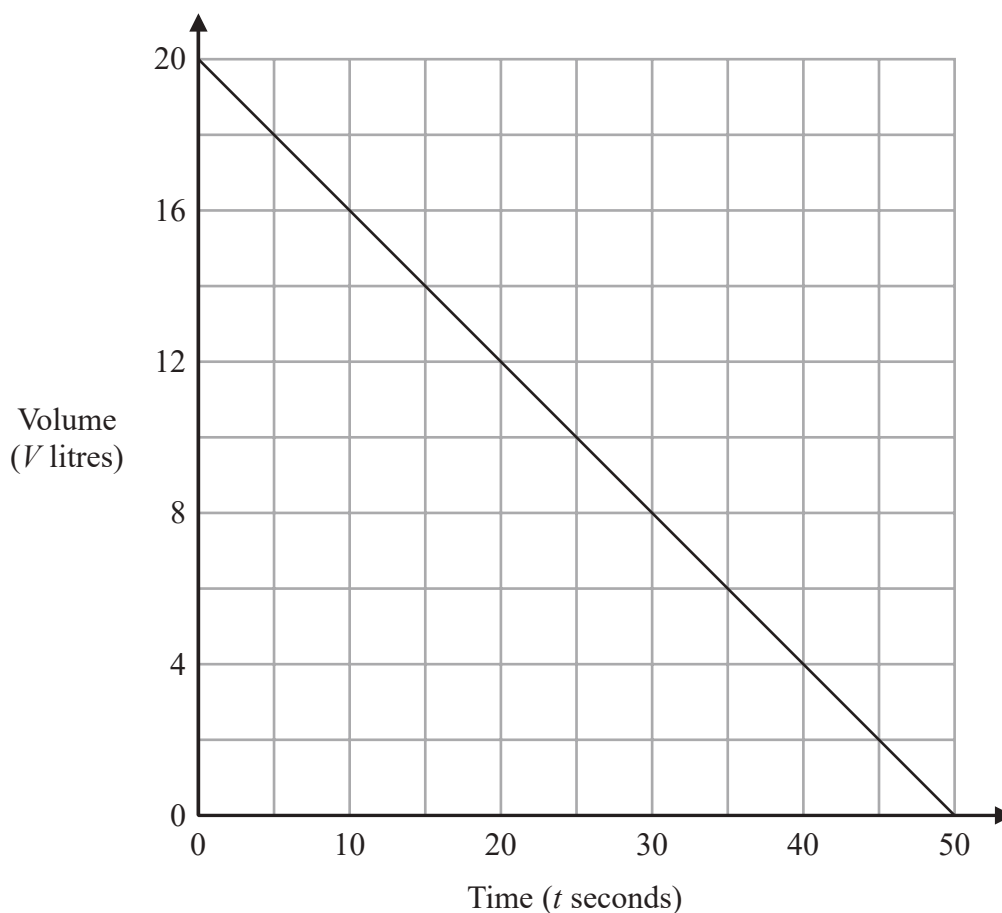
$$\begin{array}{r} 48 \\ \times 10 \\ -155 \\ \hline 385 \end{array}$$

55

(Total for Question 23 is 4 marks)



24 The graph shows the volume of water,  $V$  litres, in a tank at time  $t$  seconds.



What does the gradient of this graph represent?

Change in volume of water in the tank every 1 second.

(Total for Question 24 is 1 mark)



DO NOT WRITE IN THIS AREA

DO NOT WRITE IN THIS AREA

DO NOT WRITE IN THIS AREA

25 Make  $w$  the subject of the formula  $y = 3w - 10$

$$\begin{aligned}
 &+10 \quad +10 \\
 \frac{y+10}{3} &= \frac{3w}{3} \\
 \frac{y+10}{3} &= w
 \end{aligned}$$

$$\frac{y+10}{3}$$

(Total for Question 25 is 2 marks)

26 Solve  $x^2 - 2x - 15 = 0$

$$\begin{array}{r}
 -15 \\
 \hline
 1, -15 \\
 \hline
 3, -5
 \end{array}$$

$$x^2 + 3x - 5x - 15 = 0$$

$$x^2 + 3x - 5x - 15 = 0$$

$$x(x+3) - 5(x+3) = 0$$

$$(x-5)(x+3) = 0$$

$$\begin{array}{r}
 x-5=0 \\
 +5 \quad +5
 \end{array}$$

$$\begin{array}{r}
 x+3=0 \\
 -3 \quad -3
 \end{array}$$

$$x = 5$$

$$x = -3$$

$$x = 5 \quad x = -3$$

(Total for Question 26 is 3 marks)

TOTAL FOR PAPER IS 80 MARKS



DO NOT WRITE IN THIS AREA

DO NOT WRITE IN THIS AREA

DO NOT WRITE IN THIS AREA

**BLANK PAGE**



DO NOT WRITE IN THIS AREA

DO NOT WRITE IN THIS AREA

DO NOT WRITE IN THIS AREA

**BLANK PAGE**



P 7 5 1 5 7 A 0 2 3 2 4

DO NOT WRITE IN THIS AREA

DO NOT WRITE IN THIS AREA

DO NOT WRITE IN THIS AREA

**BLANK PAGE**

